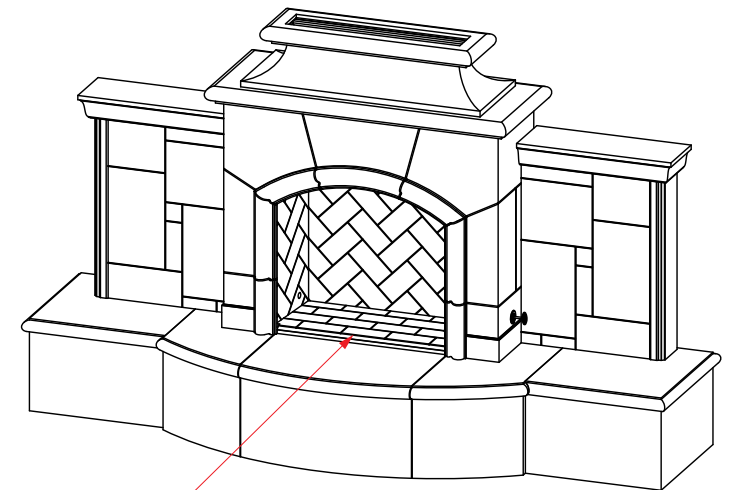
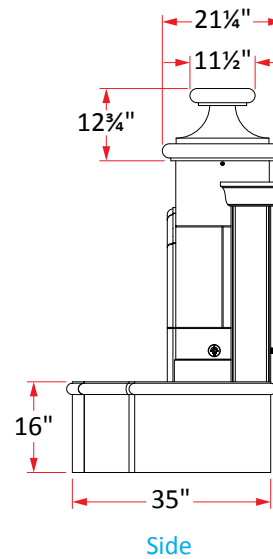
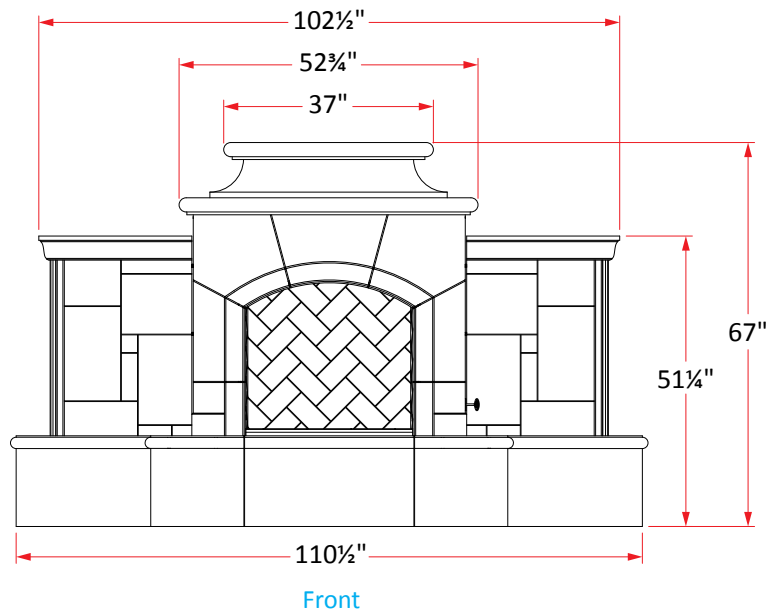
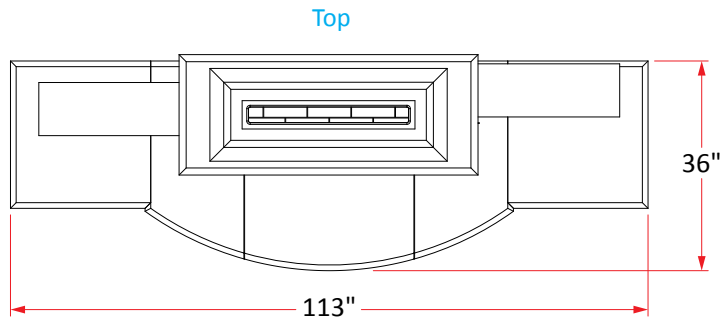


Grand Mariposa Fireplace

(w/Extended Bullnose Hearth)

Vented Model #: 868-05-x-xx-xxC

Vent-Free Model #: 168-05-x-xx-xxC



Firebox: 28½"w x 12¾"d x 21¼"h



868/168 Grand Mariposa Fireplace Specs.

Dimensions:	113"w x 36"d x 67"h
Weight / Pieces:	1300 lbs / 15 pcs
Firebox Dimensions:	28½"w x 12¾"d x 21¼"h