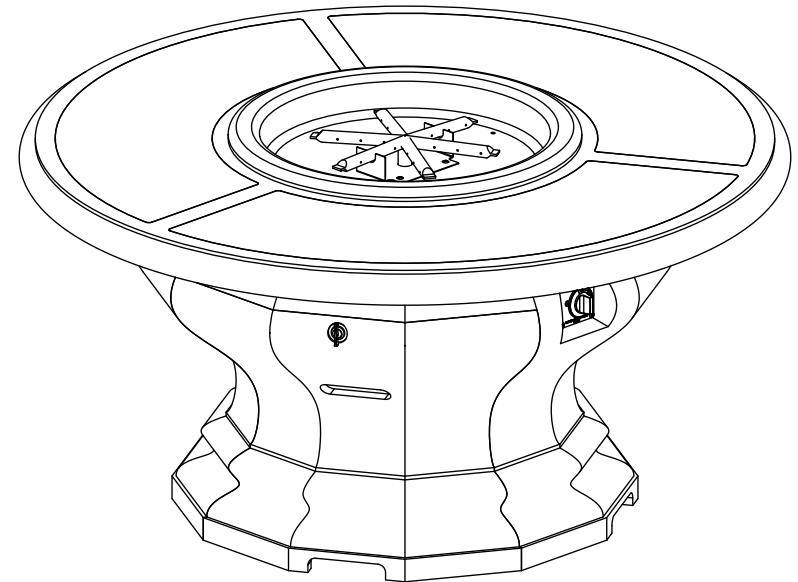
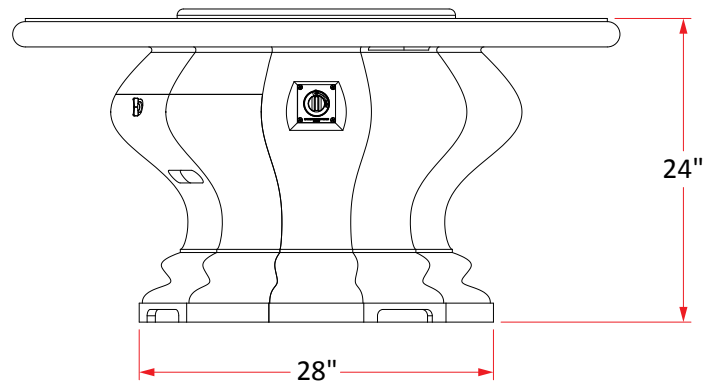
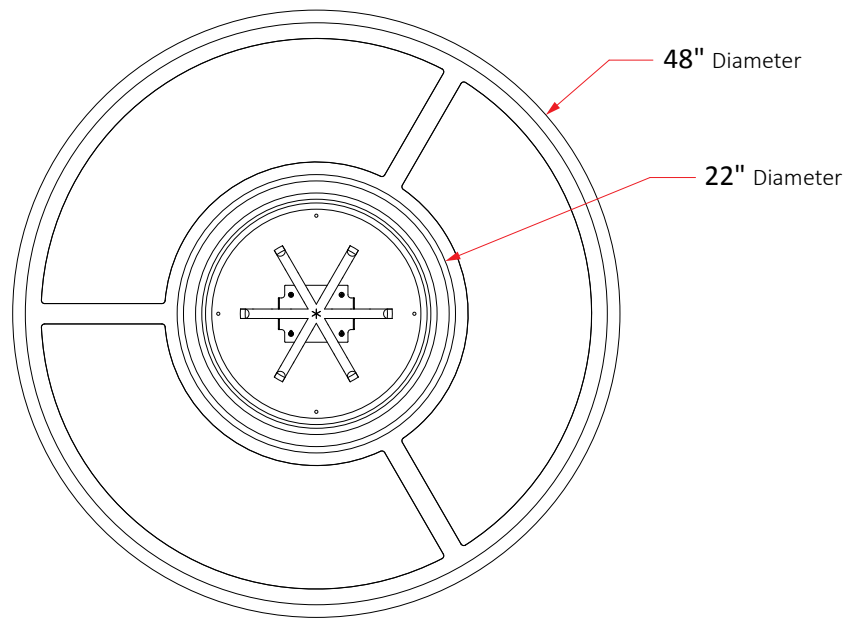


Inverted Firetable (w/Granite Inset)

Model #: 630-xx-21-V2xC



AMERICAN
FYRE DESIGNS™
outdoor Products Collection

#630 - Inverted Firetable Specs

Dimensions:	48" diameter x 24"h
Weight:	500 lbs
Key Valve (V2) BTU's:	60,000 (NG)/50,000 (LP)

Accepts a 5 gal. Propane tank inside the unit (not included).