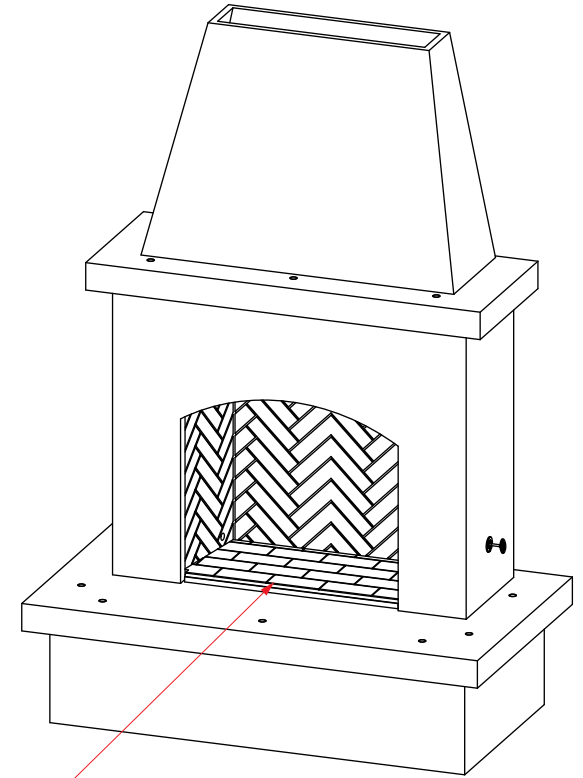


# Contractor's Model Fireplace

Vented Model #: 040-11-A-WC-RBC

Vent-Free Model #: 140-11-A-WC-RBC



Firebox: 28½"w x 15"d x 24"h



## 040/140 Contractor's Model Fireplace Specs.

Dimensions:	67"w x 37"d x 96"h
Weight / Pieces:	810 lbs / 9 pcs
Firebox Dimensions:	28½"w x 15"d x 24"h