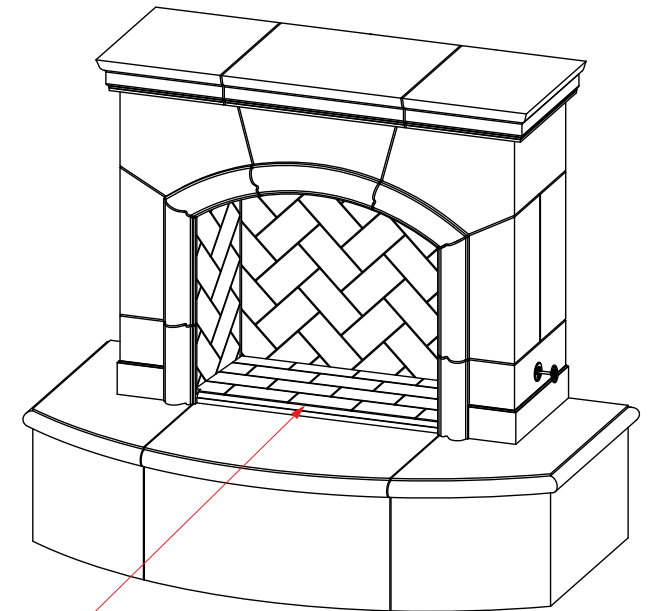
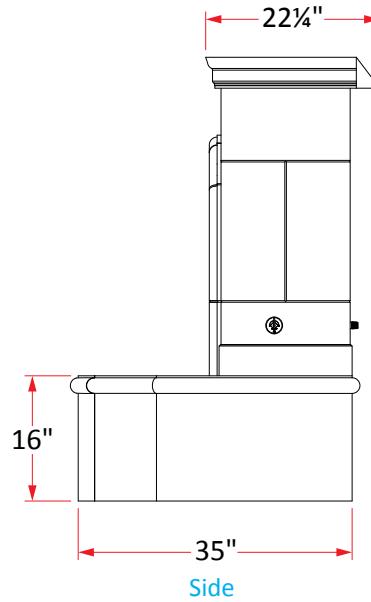
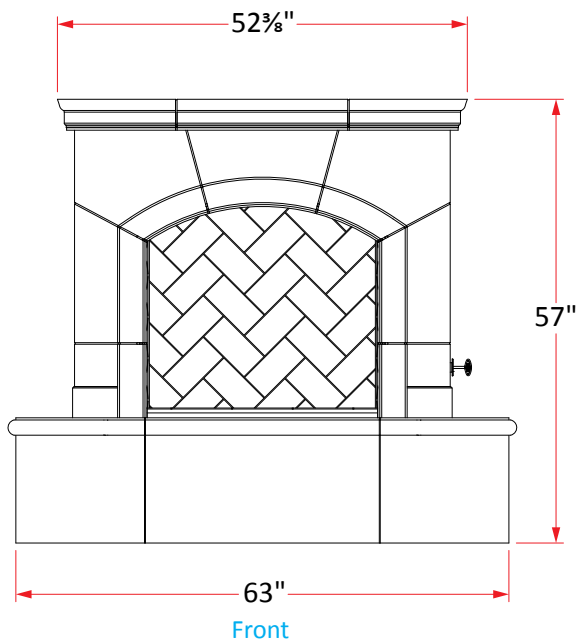
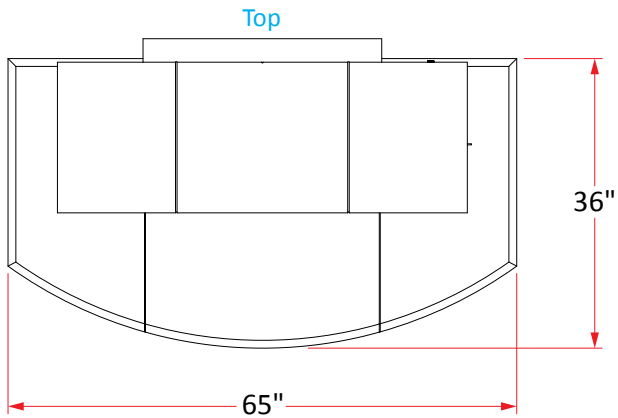


Phoenix Fireplace w/Back Venting

Vented Model #: 015-xx-x-xx-xxC

Vent-Free Model #: 115-xx-x-xx-xxC



Firebox: 28¹/₂"w x 12³/₄"d x 21¹/₄"h



015/115 Phoenix Fireplace w/Back Venting Specs.

Dimensions:	65" w x 36" d x 57" h
Weight / Pieces:	900 lbs / 8 pcs
Firebox Dimensions:	28 ¹ / ₂ " w x 12 ³ / ₄ " d x 21 ¹ / ₄ " h